



SYNTON-TECH CORPORATION

POWER WIREWOUND RESISTOR

File No.:	CH-02-L
Version:	A
Page:	1/7
Date:	2021.01.01

1. FEATURE

- HIGH RESISTIVITY TO HEAT, SMALL RESISTANCE TEMP. COEFFICIENT AND THE CHANGE IN RESISTANCE WITH TEMPERATURE BEING LINEAR.
- RESISTANCE VALUE UNCHANGED AFTER LONG USE, GOOD RESISTIVITY TO SHORT TIME OVERLOAD.
- SMALL IN SIZE BUT CAPABLE OF CARRYING HIGH POWER LOAD.
- MULTI-TERMINAL TYPES VARIABLE TYPES AVAILABLE.

2. PERFORMANCE:

- RESISTANCE TEMP. COEFF $\pm 400, 260, 100 \text{ PPM}/^{\circ}\text{C}$
- SHORT TIME OVER LOAD $\pm(2\% \pm 0.05 \Omega)$
- INSULATION RESISTANCE 500V 20M Ω MIN.
- VOLTAGE WITHSTANDING 1000V FOR 1 MIN

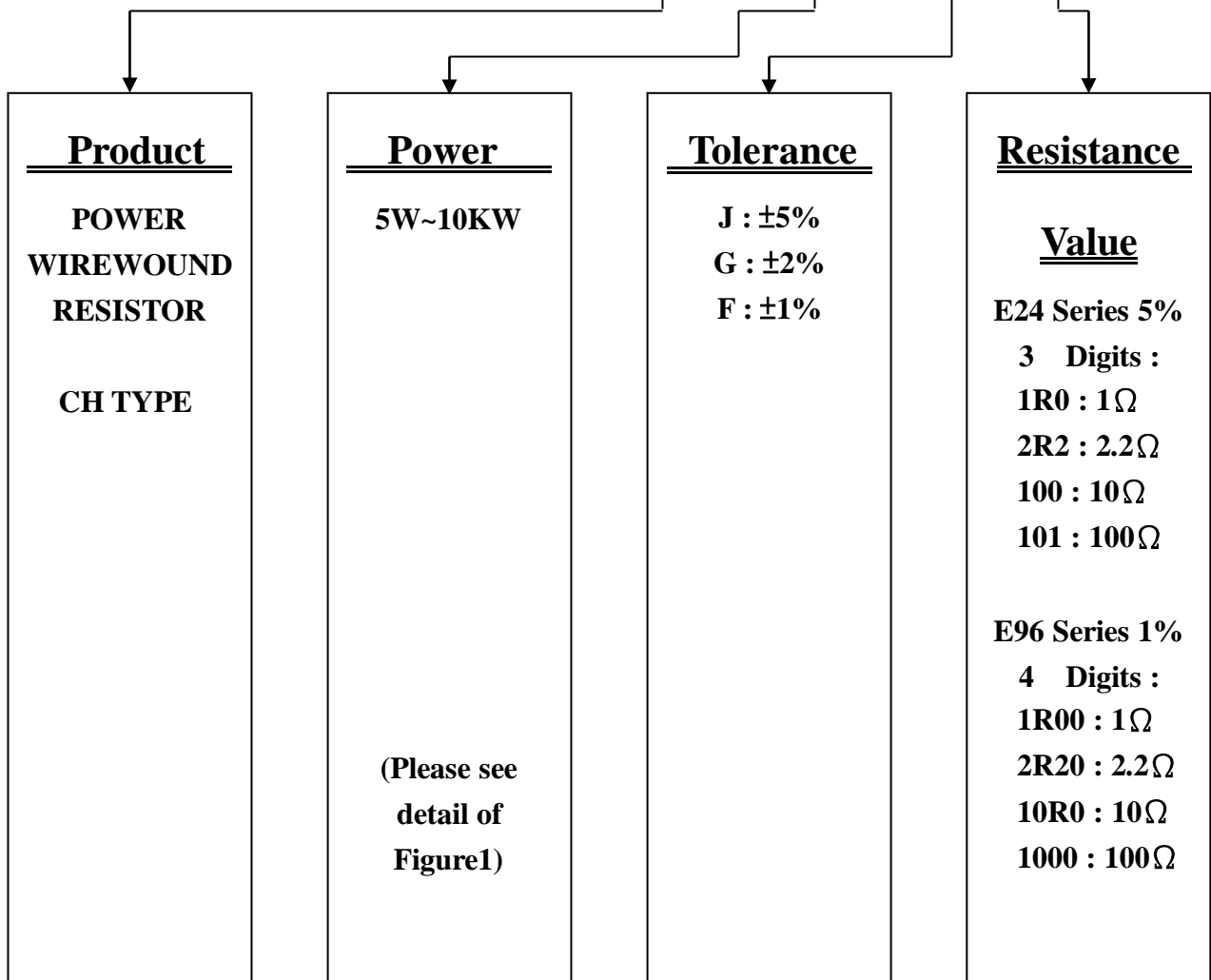
APPROVED	CHECKED	DESIGNED	REMARK	DOCUMENT NO.
Carol	May	Chen		0201010050



3. EXPLANATIONS OF ORDERING CODE

Example : DESCRIPTION : CH 100W 5% 10Ω

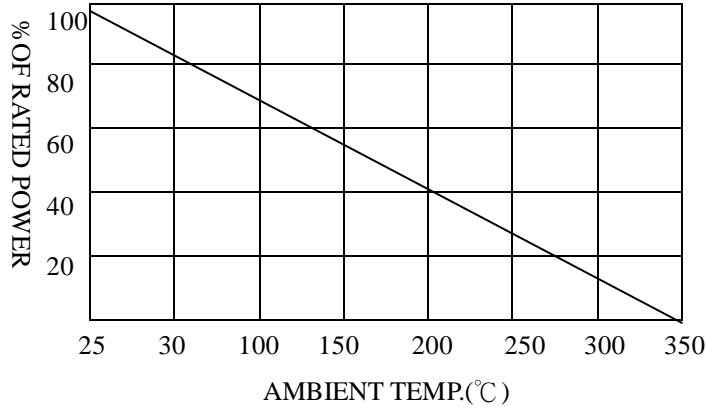
SYNTON CODE : CH 100W J 100



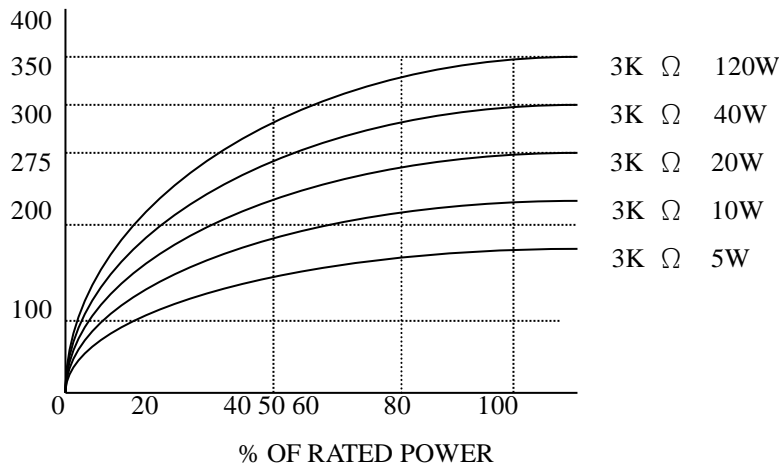


File No.:	CH-02-L
Version:	A
Page:	3/7
Date:	2021.01.01

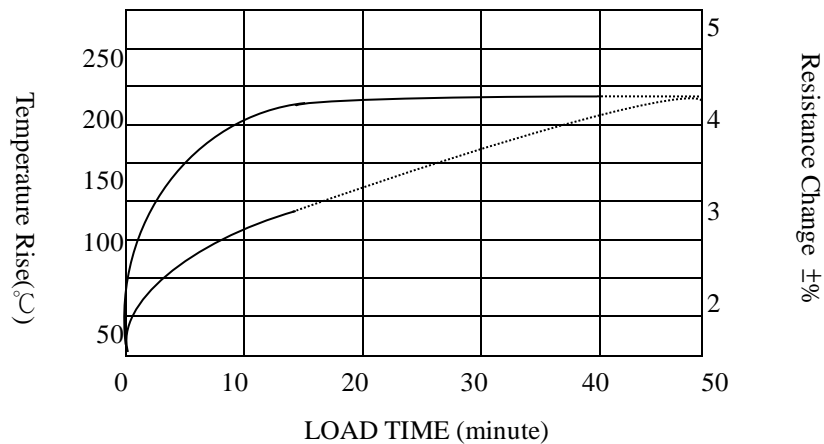
4. DERATING



5. SURFACE TEMP. VS POWER LOAD



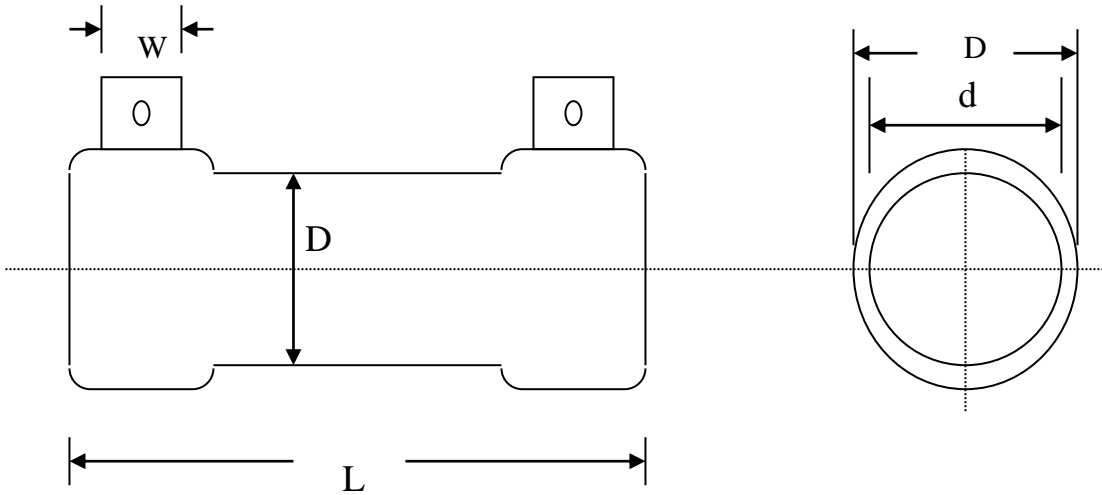
6. TEMP. VS TIME (100% LOAD)



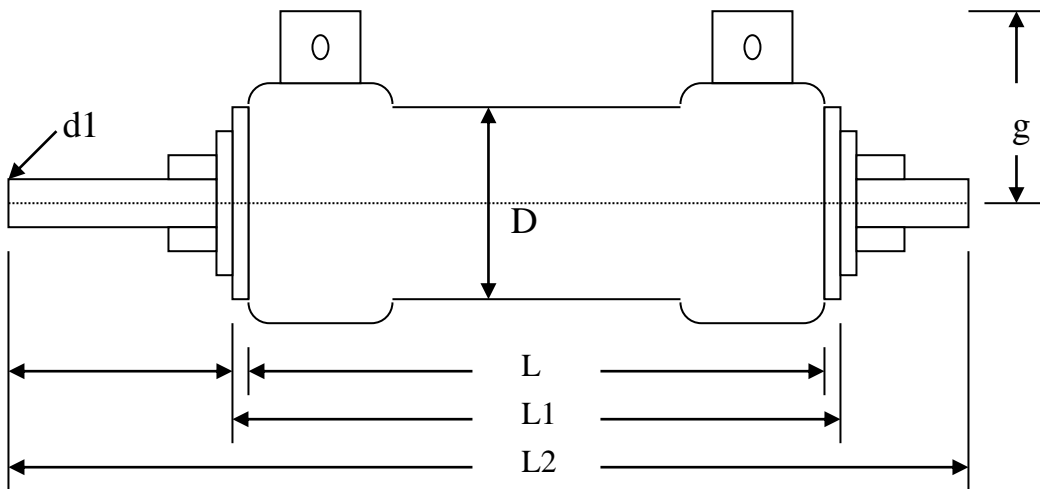


7. RATING & GENERAL SPECIFICATION

CH TYPE

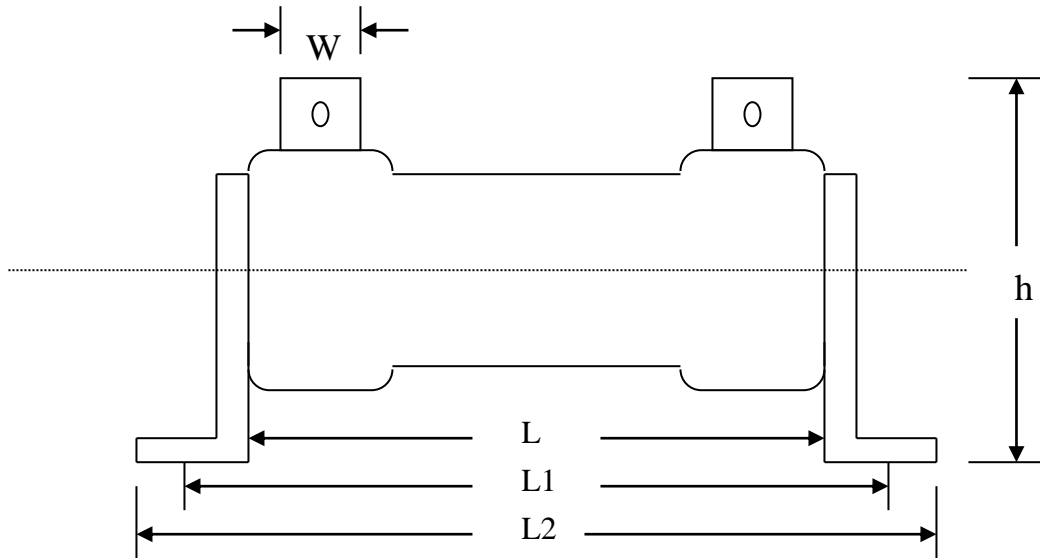


CH-O TYPE



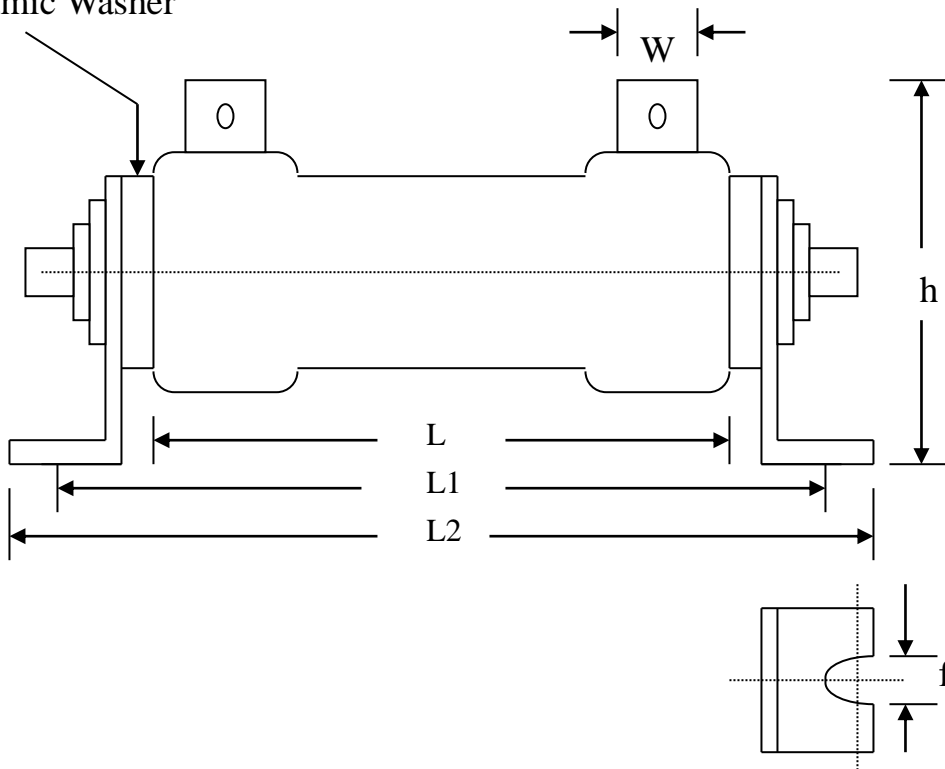


CH-A TYPE



CH-B TYPE

Ceramic Washer





SYNTON-TECH CORPORATION

POWER WIREWOUND RESISTOR

File No.:	CH-02-L
Version:	A
Page:	6/7
Date:	2021.01.01

8. DIMENSION

Silicone coating TYPE	Resistant Range ()Adjustable type	DIMENSION(mm)							O TYPE		A TYPE			B TYPE		
		L	D	d	g	W	d1	f	L1	L2	L1	L2	h	L1	L2	h
CH 5W	0.1Ω ~ 5K(650)	30	12	6	17	5			40	52						
CH 10W	0.1Ω ~ 10K(650)	45	12	6	17	5			55	67						
CH 15W	0.1Ω ~ 15K(650)	45	15	8	19	5			55	67						
CH 20W	0.1Ω ~ 20K(1K)	50	19	10	20	5	4	4.1	60	77	66	80	38	76	86	38
CH 25W	0.1Ω ~ 20K(1K)	60	19	10	20	5	4	4.1	70	87	76	90	38	86	96	38
CH 30W	0.1Ω ~ 30K(1K)	75	19	10	20	5	4	4.1	85	105	91	105	38	101	111	38
CH 40W	0.1Ω ~ 40K(1K)	90	19	10	20	5	4	4.1	100	115	106	120	38	116	126	38
CH 50W CCH75W	0.1Ω ~ 50K(2K)	75	30	16	32	8	5	5.2	89	110	105	120	58	115	131	58
CH 60W CCH90W	0.1Ω ~ 60K(2K)	90	30	16	32	8	5	5.2	104	120	120	135	58	130	146	58
CH 80W CCH120W	0.1Ω ~ 80K(3K)	115	30	16	32	8	5	5.2	129	150	145	160	58	155	171	58
CH 100W CCH150W	0.1Ω ~ 100K(3K)	140	30	16	32	8	5	5.2	154	173	170	185	58	180	196	58
CH 120W CCH180W	0.1Ω ~ 120K(4K)	163	30	16	32	8	5	5.2	179	200	193	208	58	203	221	58
CH 150W CCH225W	0.1Ω ~ 150K(4K)	195	30	16	32	8	5	5.2	209	230	225	240	58	235	251	58
CH 200W CCH300W	0.1Ω ~ 200K(8K)	254	30	16	32	8	5	5.2	268	288	284	299	58	294	310	58
CH 250W CCH375W	0.1Ω ~ 250K(8K)	303	30	16	32	8	5	5.2	319	340	333	348	58	343	361	58
CH 300W CCH450W	0.1Ω ~ 300K(10K)	254	45	28	47	15		9.15						309	330	90
CH 400W CCH600W	0.1Ω ~ 400K(15K)	330	45	28	47	15		9.15						385	406	90
CH 500W CCH750W	0.1Ω ~ 500K(25K)	303	55	35	52	15		9.15						358	378	95
CH 600W CCH850W	0.1Ω ~ 600K(25K)	330	55	35	52	15		9.15						385	405	95
CH 750W CCH1000W	0.2Ω ~ 750K(30K)	390	55	35	52	15		9.15						445	465	95
CH 1000W CCH1500W	0.2Ω ~ 1M(50K)	500	55	35	52	15		9.15						555	575	95
CH 1500W CCH2250W	0.5Ω ~ 1.5M(50K)	500	69	40	60	15		9.15						584	608	130
CH 2000W CCH3000W	0.5Ω ~ 2M(50K)	650	69	40	60	15		9.15						734	758	130

Figure 1



SYNTON-TECH CORPORATION

POWER WIREWOUND RESISTOR

File No.:	CH-02-L
Version:	A
Page:	7/7
Date:	2021.01.01

1. DIMENSION "L" TOLERANCE:

5W ~ 50W : ±5mm

60W ~ 100W : ±10mm

120W~500W : ±20mm

500W ~ : ±20mm

2. SPECIFICATIONS PER CUSTOMER'S REQUIREMENTS

3. INDUCTIVE/NON-INDUCTIVE ARE AVAILABLE

4. CCH : SPECIAL TYPE WITH CERAMIC COATING