



SYNTON-TECH CORPORATION

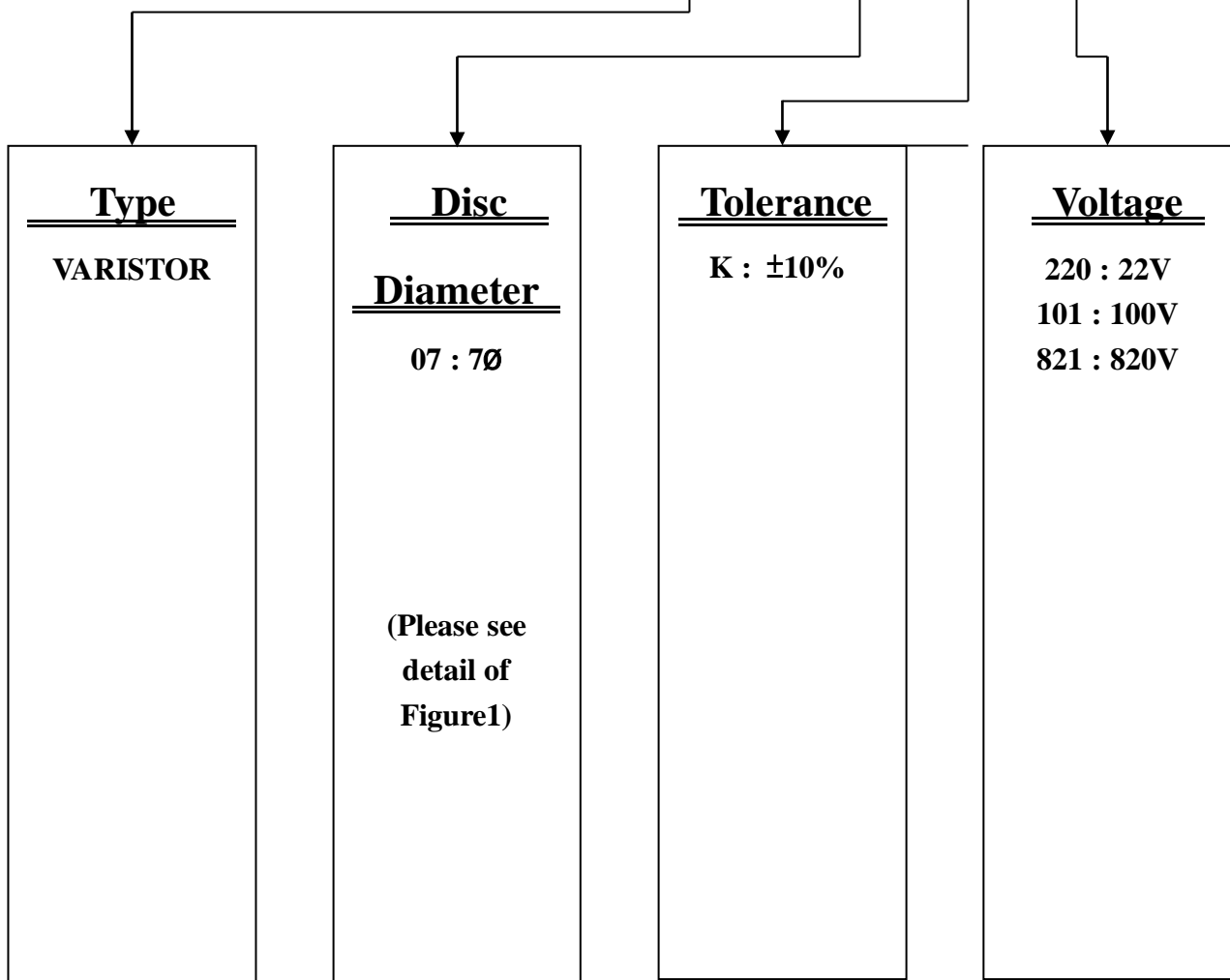
VARISTOR

| | |
|-----------|-------------|
| File No.: | VARISTOR-07 |
| Version: | A |
| Page: | 1/3 |
| Date: | 2021.01.01 |

1. EXPLANATIONS OF ORDERING CODE

DESCRIPTION : VARISTOR 7Ø 10% 390V

SYNTON CODE : VARISTOR 07 K 391



| APPROVED | CHECKED | DESIGNED | REMARK | DOCUMENT NO. |
|----------|---------|----------|--------|--------------|
| Carol | May | Chen | | 0201010402 |



2. DIMENSIONS

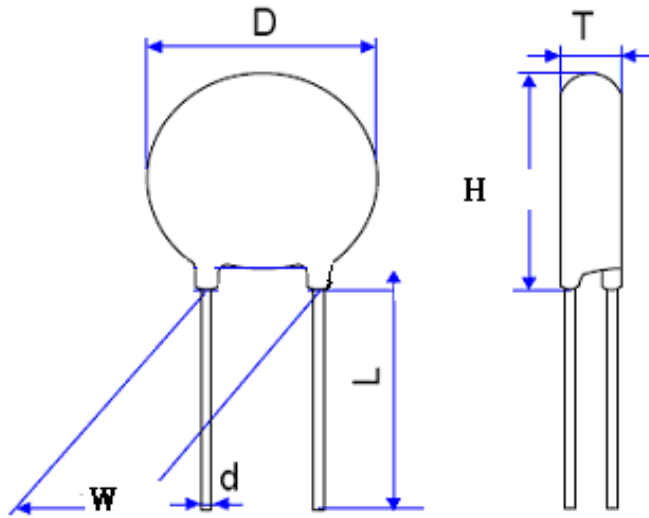


Figure1

Unit : mm

| Part No. | D max. | H max. | T max. | W±1 | L min. | d±0.1 |
|---------------------------------------|--------|--------|--------|-----|--------|-------|
| VARISTOR07K180 ~ VARISTOR07K361 | 9.00 | 12.00 | 5.20 | 5.0 | 25.0 | 0.58 |
| VARISTOR07K391 ~ VARISTOR07K561 | 9.00 | 20.5 | 6.00 | | | |
| VARISTOR07K621 ~ VARISTOR07K821 | 9.00 | 22.0 | 7.80 | | | |



SYNTON-TECH CORPORATION

VARISTOR

| | |
|-----------|-------------|
| File No.: | VARISTOR-07 |
| Version: | A |
| Page: | 3/3 |
| Date: | 2021.01.01 |

3. ELECTRICAL CHARACTERISTICS

| Part No. | Varistor Voltage | Max. Allowable Voltage | | Max. Clamping Voltage | | Max. Peak Current (8/20 μ s) | | Max. Energy (JOULE) | | Rated Power W | Typical Capacitance (Reference) @ 1KHz (pf) | |
|----------|------------------|-------------------------|---------------------------|-----------------------|--------|----------------------------------|--------|---------------------|-----------------|------------------|--|-----|
| | | V 1.0 _{mA} (V) | V _{AC} (rms) (V) | V _{DC} (V) | VC (V) | IP (A) | 1 Time | 2 Times | 10/1000 μ s | | | 2ms |
| | | | | | | | (A) | | | | | |
| 07K180 | 18 | 11 | 14 | 36 | 2.5 | 250 | 125 | 0.9 | 0.8 | 0.02 | 2800 | |
| 07K220 | 22 | 14 | 18 | 43 | 2.5 | 250 | 125 | 1.1 | 0.9 | 0.02 | 2300 | |
| 07K270 | 27 | 17 | 22 | 53 | 2.5 | 250 | 125 | 1.4 | 1.0 | 0.02 | 1800 | |
| 07K330 | 33 | 20 | 26 | 65 | 2.5 | 250 | 125 | 1.7 | 1.2 | 0.02 | 1500 | |
| 07K390 | 39 | 25 | 31 | 77 | 2.5 | 250 | 125 | 2.1 | 1.5 | 0.02 | 1300 | |
| 07K470 | 47 | 30 | 38 | 93 | 2.5 | 250 | 125 | 2.5 | 1.8 | 0.02 | 1100 | |
| 07K560 | 56 | 35 | 45 | 110 | 2.5 | 250 | 125 | 3.1 | 2.2 | 0.02 | 890 | |
| 07K680 | 68 | 40 | 56 | 135 | 2.5 | 250 | 125 | 3.6 | 2.5 | 0.02 | 740 | |
| 07K820 | 82 | 50 | 65 | 135 | 10 | 1200 | 600 | 5.5 | 3.5 | 0.25 | 600 | |
| 07K101 | 100 | 60 | 85 | 165 | 10 | 1200 | 600 | 6.5 | 4.0 | 0.25 | 500 | |
| 07K121 | 120 | 75 | 100 | 200 | 10 | 1200 | 600 | 7.8 | 5.0 | 0.25 | 420 | |
| 07K151 | 150 | 95 | 125 | 250 | 10 | 1200 | 600 | 9.7 | 6.0 | 0.25 | 320 | |
| 07K181 | 180 | 115 | 150 | 300 | 10 | 1200 | 600 | 11.7 | 8.5 | 0.25 | 280 | |
| 07K201 | 200 | 130 | 170 | 340 | 10 | 1200 | 600 | 13.0 | 10.0 | 0.25 | 250 | |
| 07K221 | 220 | 140 | 180 | 360 | 10 | 1200 | 600 | 14.0 | 10.0 | 0.25 | 230 | |
| 07K241 | 240 | 150 | 200 | 395 | 10 | 1200 | 600 | 15.0 | 10.0 | 0.25 | 210 | |
| 07K271 | 270 | 175 | 225 | 455 | 10 | 1200 | 600 | 18.0 | 12.0 | 0.25 | 185 | |
| 07K301 | 300 | 190 | 250 | 500 | 10 | 1200 | 600 | 20.0 | 13.0 | 0.25 | 165 | |
| 07K331 | 330 | 210 | 275 | 550 | 10 | 1200 | 600 | 23.0 | 14.0 | 0.25 | 150 | |
| 07K361 | 360 | 230 | 300 | 595 | 10 | 1200 | 600 | 25.0 | 15.0 | 0.25 | 140 | |
| 07K391 | 390 | 250 | 320 | 650 | 10 | 1200 | 600 | 25.0 | 17.0 | 0.25 | 130 | |
| 07K431 | 430 | 275 | 350 | 710 | 10 | 1200 | 600 | 28.0 | 20.0 | 0.25 | 115 | |
| 07K471 | 470 | 300 | 385 | 775 | 10 | 1200 | 600 | 30.0 | 20.0 | 0.25 | 105 | |
| 07K511 | 510 | 320 | 415 | 845 | 10 | 1200 | 600 | 30.0 | 20.0 | 0.25 | 100 | |
| 07K561 | 560 | 350 | 460 | 925 | 10 | 1200 | 600 | 30.0 | 20.0 | 0.25 | 90 | |
| 07K621 | 620 | 385 | 505 | 1025 | 10 | 1200 | 600 | 33.0 | 22.0 | 0.25 | 80 | |
| 07K681 | 680 | 420 | 560 | 1120 | 10 | 1200 | 600 | 33.0 | 22.0 | 0.25 | 75 | |
| 07K751 | 750 | 460 | 615 | 1240 | 10 | 1200 | 600 | 33.0 | 22.0 | 0.25 | 70 | |
| 07K781 | 780 | 485 | 640 | 1290 | 10 | 1200 | 600 | 33.0 | 22.0 | 0.25 | 65 | |
| 07K821 | 820 | 510 | 670 | 1355 | 10 | 1200 | 600 | 33.0 | 22.0 | 0.25 | 60 | |